

HP1 COMPACT POWER UNIT PARTS LIST

Item No	P/N	Qty	Description
FIG. 1 - ENGINE ASSY			
1	23332	1	Engine, Briggs & Stratton
2	18384	1	Oil Filter
3	08667	4	Self Tapping Screw, #10-24 x 3/8 in.
4	23814	1	Air Duct, Back
5	04539	6	Washer
6	01298	8	Lockwasher
7	23846	6	Capscrew, M6 x 1 x 16 mm
8	-----	4	Capscrew (Incl'd with Engine)
9	23764	1	Muffler, modified
10	-----	1	Heat Shield (incl'd w/item 9)
11	-----	1	Washer (Incl'd with Engine)
12	-----	1	Capscrew (Incl'd with Engine)
13	-----	2	Screw (incl'd w/item 9)
14	08668	12	Sheet Metal Screw
15	23722	1	Choke Cable Assy (See Fig. 3)
16	24390	1	Oil Cooler
17	-----	-	No Item
18	23662	1	Cooler Mount Weldment
19	31242	4	Locknut, 7/16-14
20	-----	-	NO ITEM
21	07783	1	Blower Housing
22	05694	4	Washer, 7/16 in.
23	23778	4	Standoff
24	07752	1	Cooler Mount
25	23812	1	Air Duct Weldment
26	03906	2	ESNA Nut, 5/16 in. -18
27	12175	A/R	Washer, 5/16 (as required)
28	23788	4	Spacer
29	03031	5	Lockwasher
30	04637	2	Capscrew, 5/16 in.-18 x 2-1/2
31	07818	1	Key
32	01397	2	Set Screw
33	23781	1	Blower Hub & Shaft Extension
34	07819	1	Key
35	08035	1	Blower Wheel
36	00899	4	Capscrew
37	23719	1	Coupling Assy (incl'd set screws, item 30 & 31 in fig. 2)
38	08669	1	Inlet Ring Gasket
39	07809	1	Inlet Ring
40	08667	5	Screw, Self Tapping
41	31241	2	Screw
FIG. 2 FRAME ASSEMBLY			
1	31241	5	Screw, 5/16 in.-18, hex socket button head
2	23401	1	Fuel Tank
3	07810	1	Fuel Tank Cap
4	21688	1	Tank Support
5	04416	2	Capscrew, 5/16 in.-18 x 1/2
6	23774	1	Actuator Assy (See Fig. 4)
7	00719	1	Nut
8	00035	1	Capscrew, 1/4 in.-20 x 1-1/4
9	04539	7	Washer, 1/4 in.
10	03907	8	Capscrew, 1/4 in.-20 x 1-1/2
11	27759	2	Top Grille
12	08080	2	Handle Grip
13	23775	1	Dash Panel Assy (See Fig. 5)
14	02072	2	Capscrew, 5/16 in.-18 x 3/4
15	03031	9	Lockwasher, 5/16 in.
16	12175	15	Flatwasher, 5/16 in.
17	08201	2	Capscrew, 5/16 in.-18 x 1-1/2
18	29133	1	Proposition 65 Sticker (California)
19	04539	2	Washer, 1/4 in.
20	07757	1	Inlet Tube Assy
21	05967	1	Elbow
22	08045	1	Hose Clamp
23	-----	1	Key (Incl'd with item 26)
24	07860	2	Capscrew, 3/8 in.-16 x 1-1/4
25	01459	2	Lockwasher, 3/8 in.
26	04134	1	Hydraulic Pump
27	-----	1	Retaining Ring (Incl'd with item 30)
28	07803	1	Hydraulic Tank Assy (See Fig. 6)
29	-----	1	Washer, (Incl'd with item 30)
30	23719	1	Coupling Assy (Incl'd item 31)
31	-----	1	Coupling Sleeve (Incl'd with item 30)

Item No	P/N	Qty	Description
32	10499	1	Battery Pad
33	07758	1	Tank Support Tab
34	04303	1	Battery
35	00429	2	Nut
36	03031	2	Lockwasher, 5/16
37	28983	1	Weight Sticker
38	05227	2	Carriage Bolt, 5/16 in. x 3/4
39	31240	2	Retaining Ring
40	01918	2	Washer
41	16310	2	Wheel
42	04566	1	Battery Strap
43	03906	4	Nut, ESNA, 5/16 in.-18
44	-----	2	Incl'd with item 47
45	370504	2	Capscrew, 5/16 in.-18 x 2-3/4
46	370513	4	Capscrew, 5/16 in.-18 x 1-3/4
47	28091	1	Frame Weldment
48	16363	2	Axle
49	28093	2	Handle
50	23720	1	Throttle Cable
51	07764	1	Choke Pull Decal
52	28985	1	Exhaust Sticker (CE models only)
53	28988	1	Exhaust Fumes Sticker (CE models only)
54	28323	1	CE Sticker (CE models only)
55	28788	1	Manual Sticker (CE models only)
56	28984	1	Fuel Sticker (CE models only)
57	29036	1	Sound Power Level Sticker (CE models only)
58	28786	1	Coupler Sticker (CE models only)
FIG. 3 CHOKE CABLE ASSY - P/N 23722			
1	11041	1	Choke Cable Anchor
2	10894	1	Choke Cable Assy
3	10893	1	Bracket
FIG. 4 ACTUATOR ASSY			
1	04913	1	Cable Stop
2	23717	1	Cylinder Pull Wire
3	-----	1	Screw (incl'd with item 1)
4	15161	1	Gland Cap
5	06891	1	O-ring
6	02838	2	Back-up Ring
7	23370	1	O-ring
8	15160	1	Keeper
9	20550	1	Spring
10	15148	1	Piston
11	360009	1	Hose Assy
12	15158	1	Cylinder
13	05931	1	Hose Clamp
14	23785	1	Base Weldment
15	23784	1	Control Weldment
16	23783	1	Cylinder Lever Weldment
17	04539	1	Washer, 1/4 in.
18	15162	1	Fast Pin
19	00769	1	Capscrew, 1/4 in.-20 x 3/4
FIG. 5 DASH PANEL & VALVE ASSY			
1	25633	1	Swivel Fitting
2	24061	1	Male Coupler Body - 1/2 in.
3	24237	1	Panel Weldment Assy (incl'd item 12)
4	20606	1	Hour Meter
5	07760	1	Spool Washer
6	07820	1	Retaining Ring
7	00147	1	Nut
8	05849	1	Control Rod
9	02633	1	Knob
10	-----	1	Incl'd with item 14
11	-----	1	Incl'd with item 14
12	07766	1	Decal
13	24060	1	Female Coupler Body - 1/2 in.
14	07808	1	ON/OFF Switch
15	07793	1	Steel Ball
16	07754	1	Spring
17	01212	1	Pipe Plug
18	07968	1	Starter Switch
19	00899	2	Capscrew

Item No	P/N	Qty	Description
FIG. 5 DASH PANEL & VALVE ASSY Continued . . .			
20	01298	2	Lock Washer
21	07792	1	Elbow Fitting
22	01539	1	Elbow Fitting
23	07745	1	Spool Stop Washer
24	05551	1	Capscrew
25	01459	1	Lock Washer
26	07753	1	Bar
27	07771	1	Valve Spool
28	06988	1	Backup Ring
29	06989	1	O-ring
30	07781	1	Valve Block
31	04312	1	Relief Valve
32	00955	1	Pipe Plug
33	04868	1	Elbow Hose Barb
34	----	1	Incl'd with item 4
35	----	2	Incl'd with item 4
36	----	1	Incl'd with item 4
37	01403	1	O-Ring
38	07794	1	Back-up Ring
39	00140	1	Quad Ring
FIG. 6 TANK ASSY			
1	07763	1	Filler Cap
2	03760	4	Capscrew, 5/16 in.-18 x 1-1/2
3	28987	1	Hydraulic Oil Sticker
4	07772	1	Filler Top
5	06989	1	O-ring
6	07795	1	Oil Filter (Baldwin PT-289)
7	04708	1	Spring
8	07799	1	O-ring
9	08643	1	Hydraulic Filter Enclosure
10	07792	1	45 Degree Elbow (Incl'd w/ item 13)
11	04867	1	Hose End Barb (Incl'd w/ item 13)
12	08253	4	Capscrew, 1/4 in.-20 x 1-1/2
13	26238	1	Filter Block Assy
14	01603	1	Steel Ball (Incl'd w/ item 13)
15	07754	1	Spring (Incl'd w/ item 13)
16	01271	1	Pipe Plug (Incl'd w/ item 13)
17	09590	1	Gasket
18	09591	1	Filter Grip Plate
19	05535	1	Breather
20	07748	1	Sight Pipe
21	07784	1	Hydraulic Tank
FIG. 7 HOSES, FITTINGS, and CLAMPS			
1	07821	2	90 Degree Elbow
2	04889	6	Hose Clamp
3	08226	1	Hose
4	07814	1	Hose Assy
5	360009	1	Hose Assy
6	08044	1	Hose
7	08045	2	Hose Clamp
8	06715	1	Suction Hose
9	11179	2	Hose Clamp
10	07747	1	Suction Sleeve
11	07749	1	Suction Tube
12	24389	1	Hose
13	04321	1	Elbow Fitting
14	31244	1	Wire Tie (as required)
15	23779	3	Hose Clamp
16	23777	1	Fuel Hose
17	19947	1	Fuel Filter & Hose Assy

Item No	P/N	Qty	Description
FIG. 8 WIRING DIAGRAM			
1	372067	3	Double Spade Connector
2	23715	1	Diode Wire Assy
3	09153	1	Wire Assy (14 gauge, black)
4	----	1	Wire Assy (14 gauge, red - incl'd w/engine)
5	23685	1	Wire Assy (14 gauge, yellow)
6	23714	2	Wire Assy (14 gauge, white)
7	----	1	Wire Assy (14 gauge, black - incl'd w/engine)
8	28898	1	Wire Assy (14 gauge, red)
9	23681	1	Wire (14 gauge, red)
10	23683	1	Wire Assy (14 gauge, green)
11	23684	1	Wire Assy (14 gauge, black)
12	08724	1	Wire Assy (14 gauge, black)
13	23682	1	Wire Assy (14 gauge, green)
--	16312	1	Oil Pressure Sender
--	31244	1	Wire Tie
--	31243	1	Wire Tie

NOTE: Use Figure Number and Item Number when ordering.

MODEL DESCRIPTIONS

- HP18294 Compact Power Unit - U.S.A.
 HP1829401 Compact Power Unit - CE (European Communities)
 HP18299 Compact Power Unit with Hose Basket - U.S.A.

NOTES

This manual pertains to current models. Instructions for earlier HP1C models are contained in manual 24280 DATED 4/93.

SEAL KIT FOR THE 391-1822-101 PUMP IS 31841.

ENGINE AIR FILTER IS P/N 18383 (FOAM) or P/N 18382 (PAPER).

ENGINE GOVERNOR SPRING IS P/N 28080.

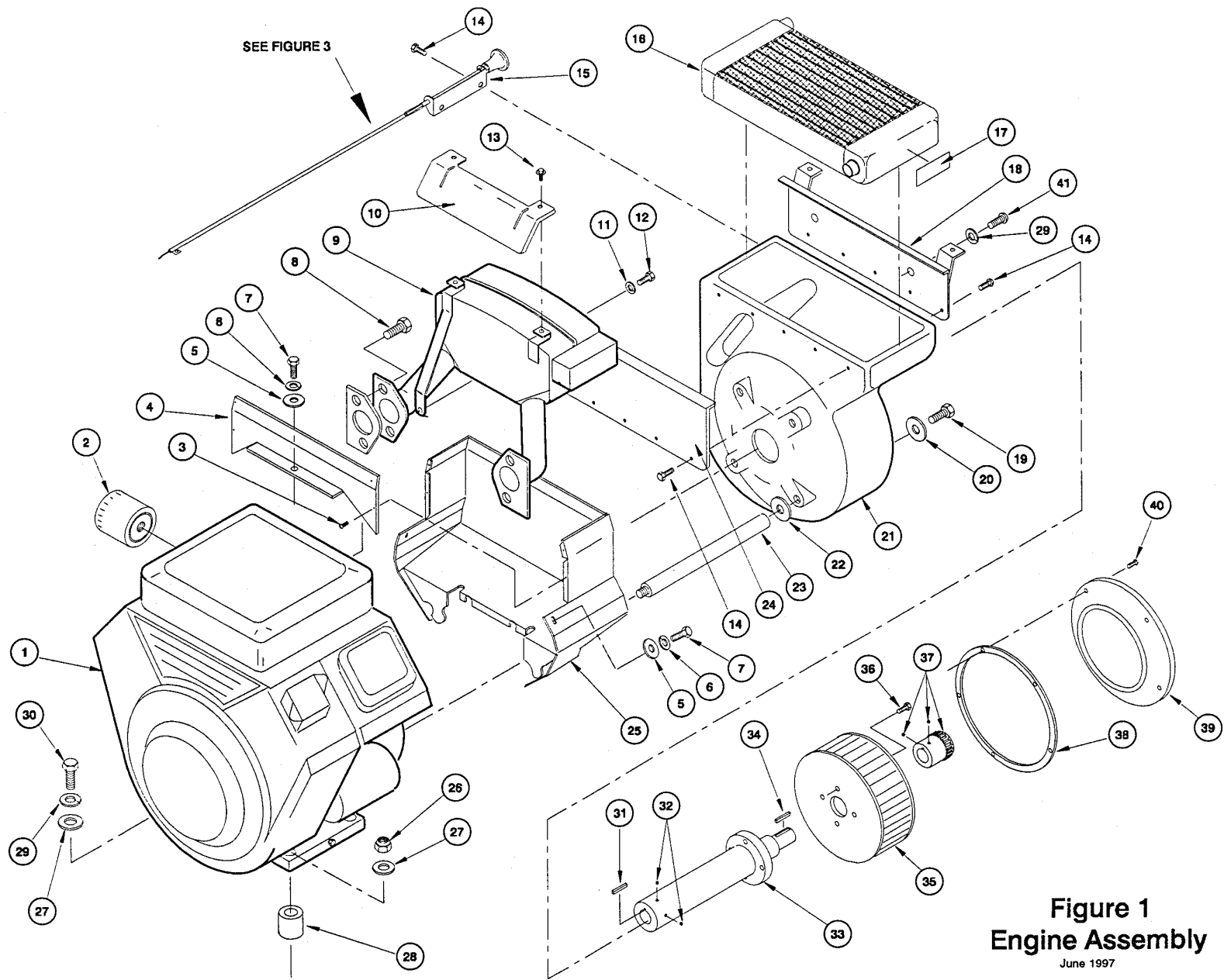


Figure 1
Engine Assembly
 June 1997

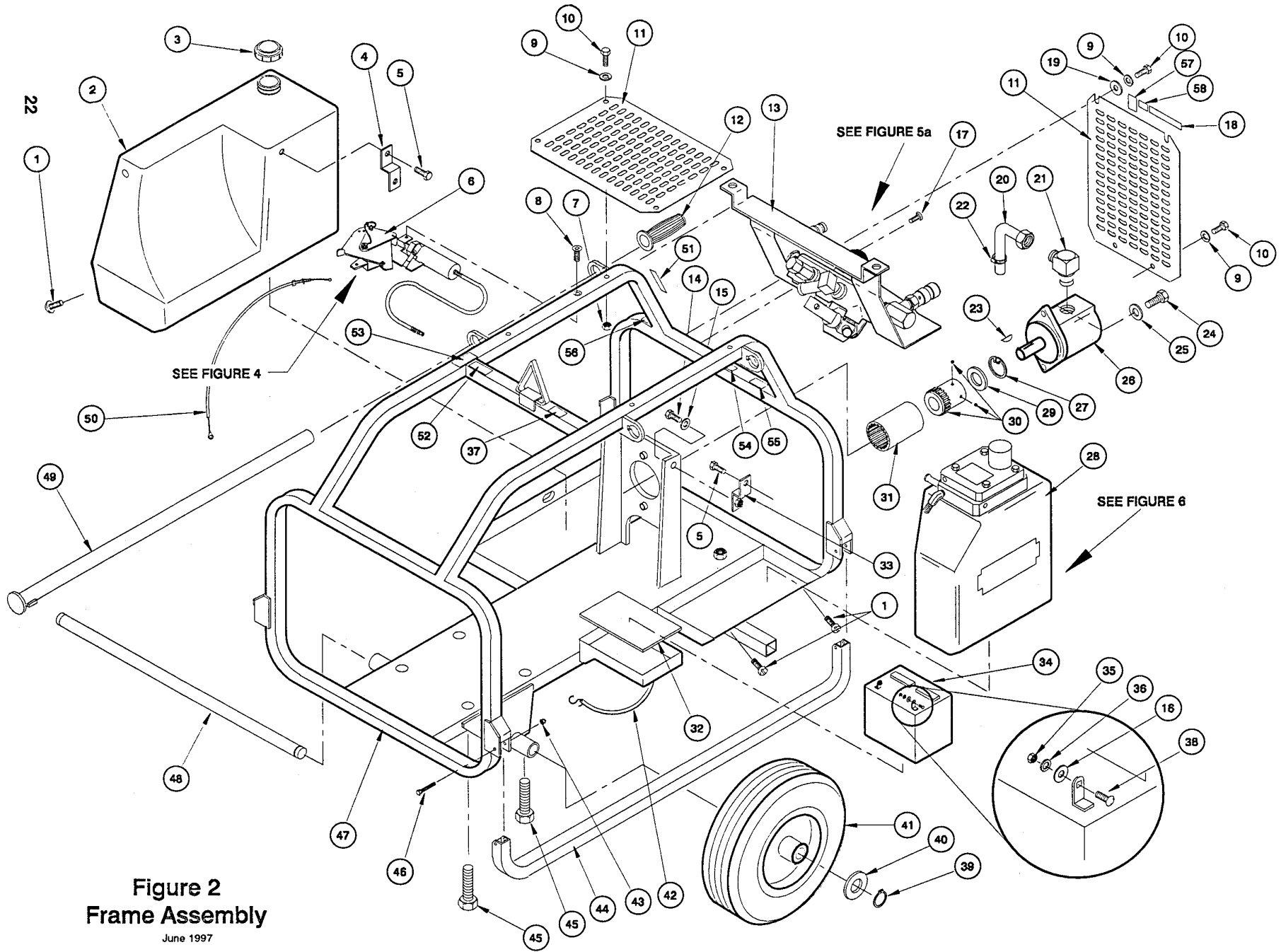


Figure 2
Frame Assembly
 June 1997

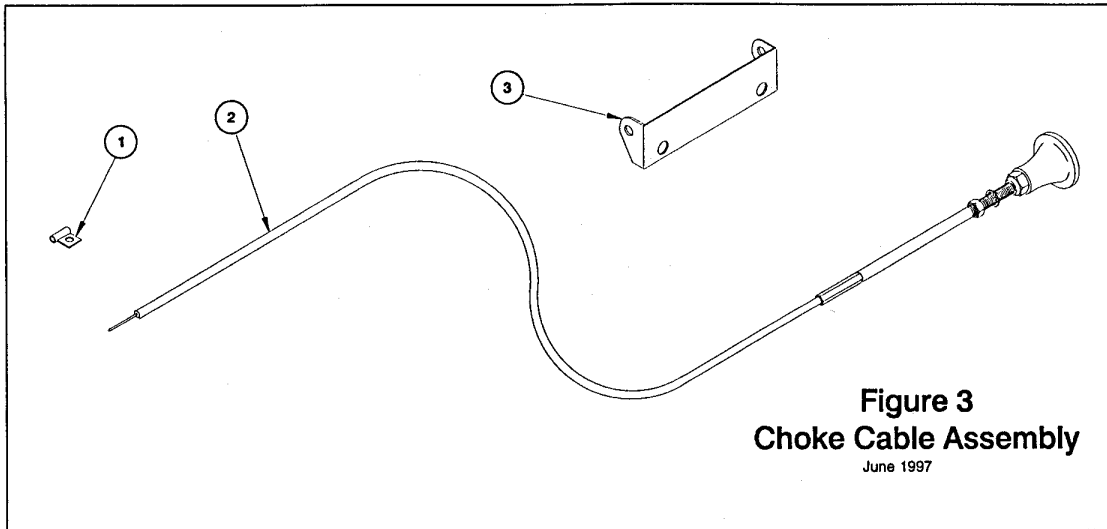


Figure 3
Choke Cable Assembly
 June 1997

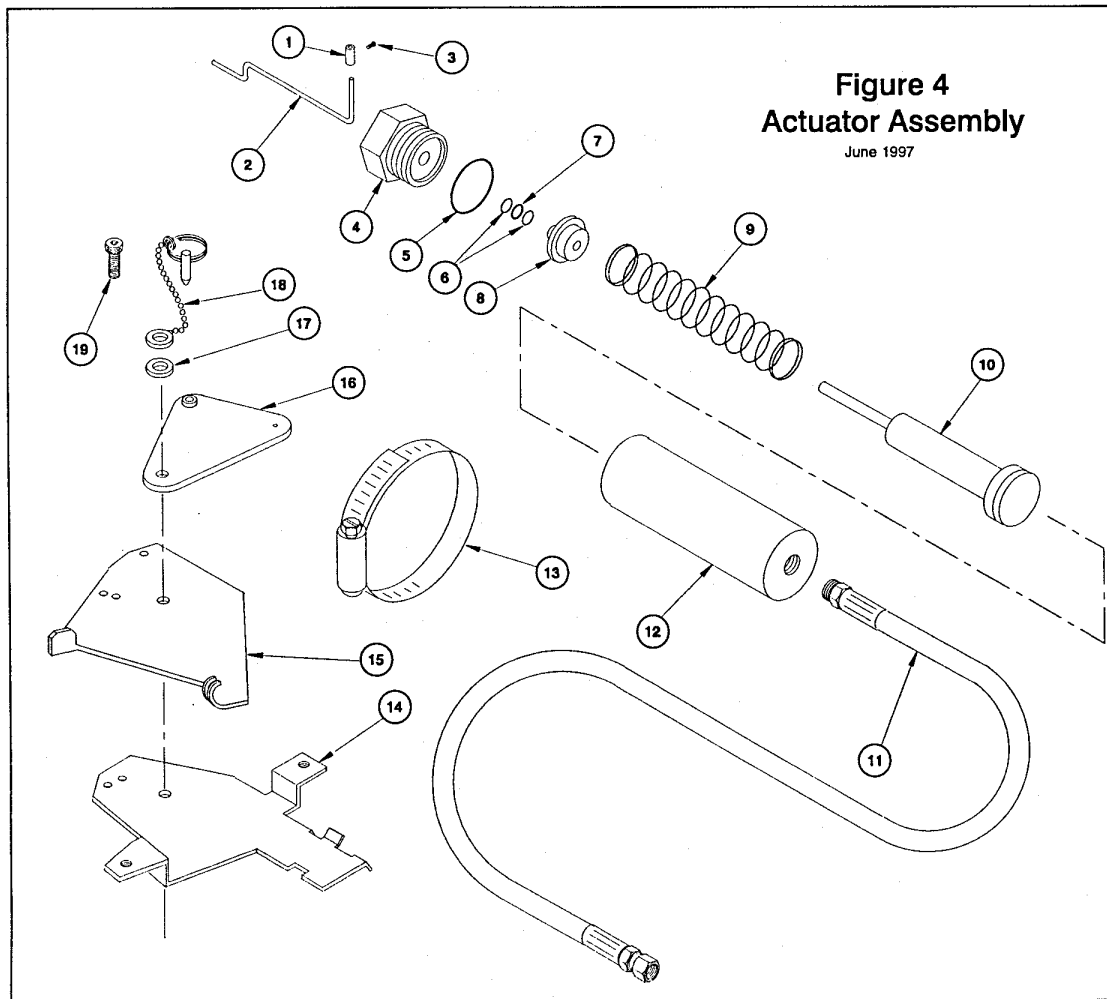


Figure 4
Actuator Assembly
 June 1997

Figure 5 Dash Panel & Valve Assembly

June 1997

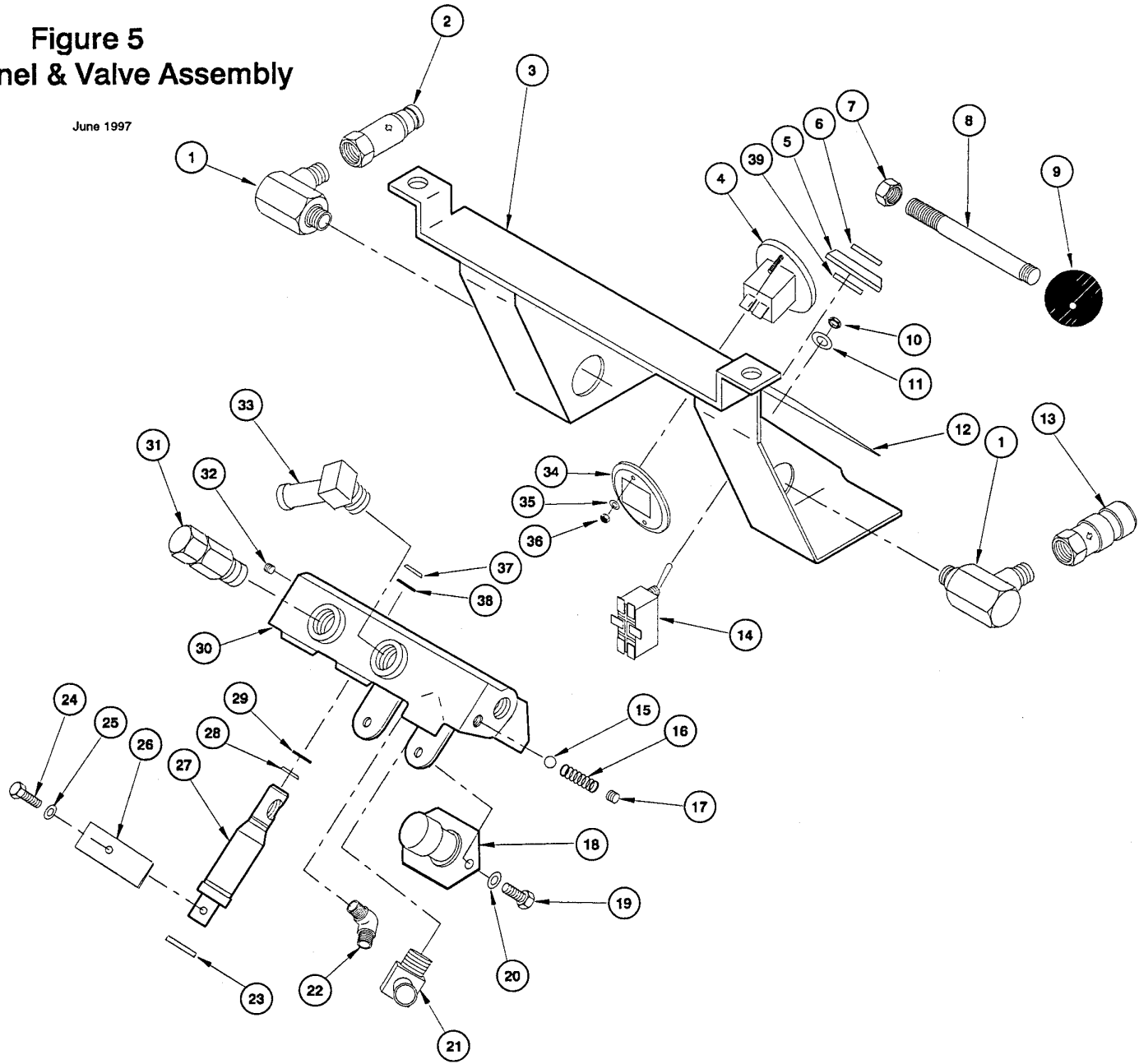
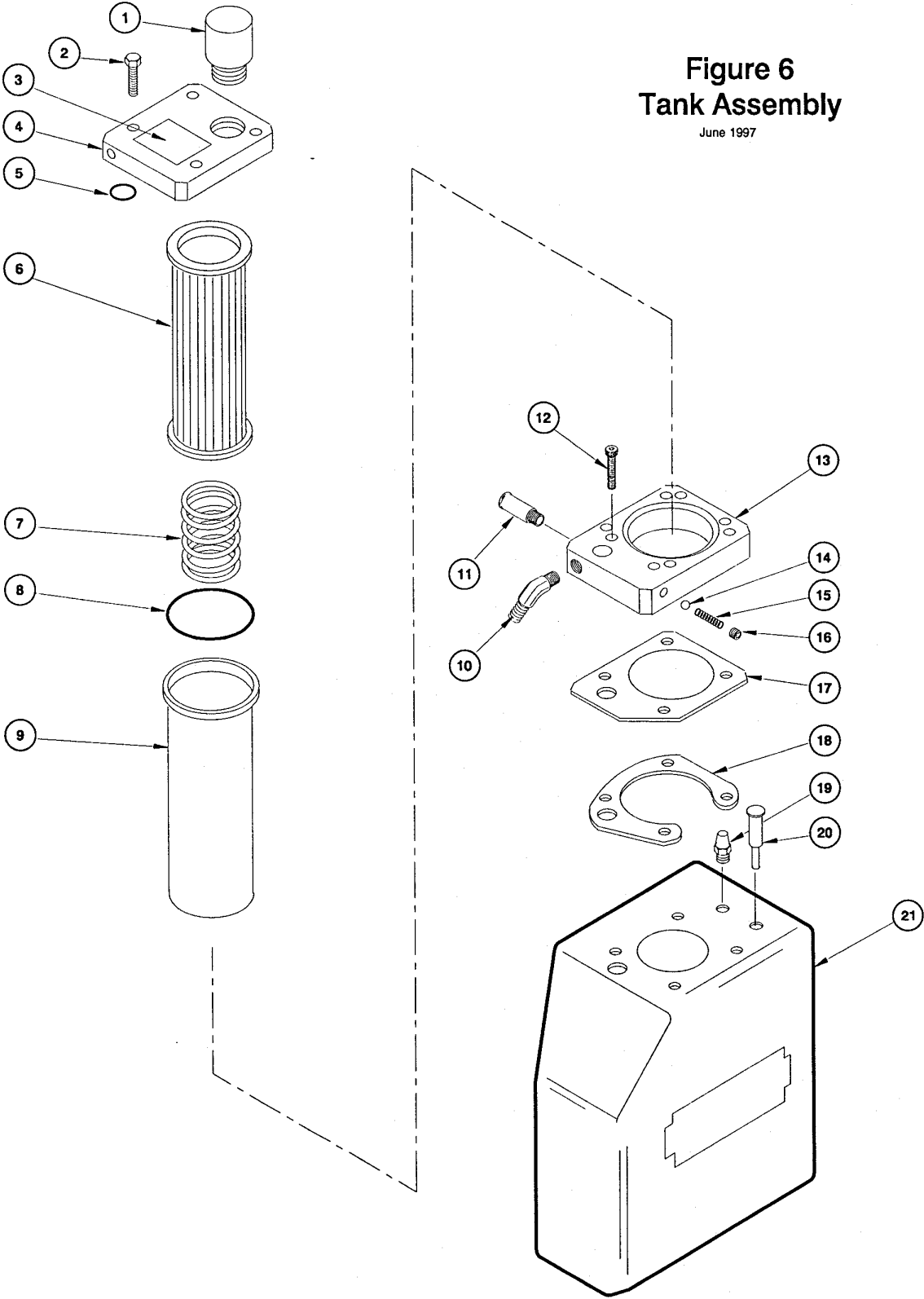


Figure 6 Tank Assembly

June 1997



NOTE: Wiring from the engine to the dash panel is secured to the standoffs with plastic wire ties.

Wire ties are used as required to keep wires bundled and secure.

SEE THE WIRING DIAGRAM (Fig. 8) FOR WIRE CONNECTIONS AND COLORS.

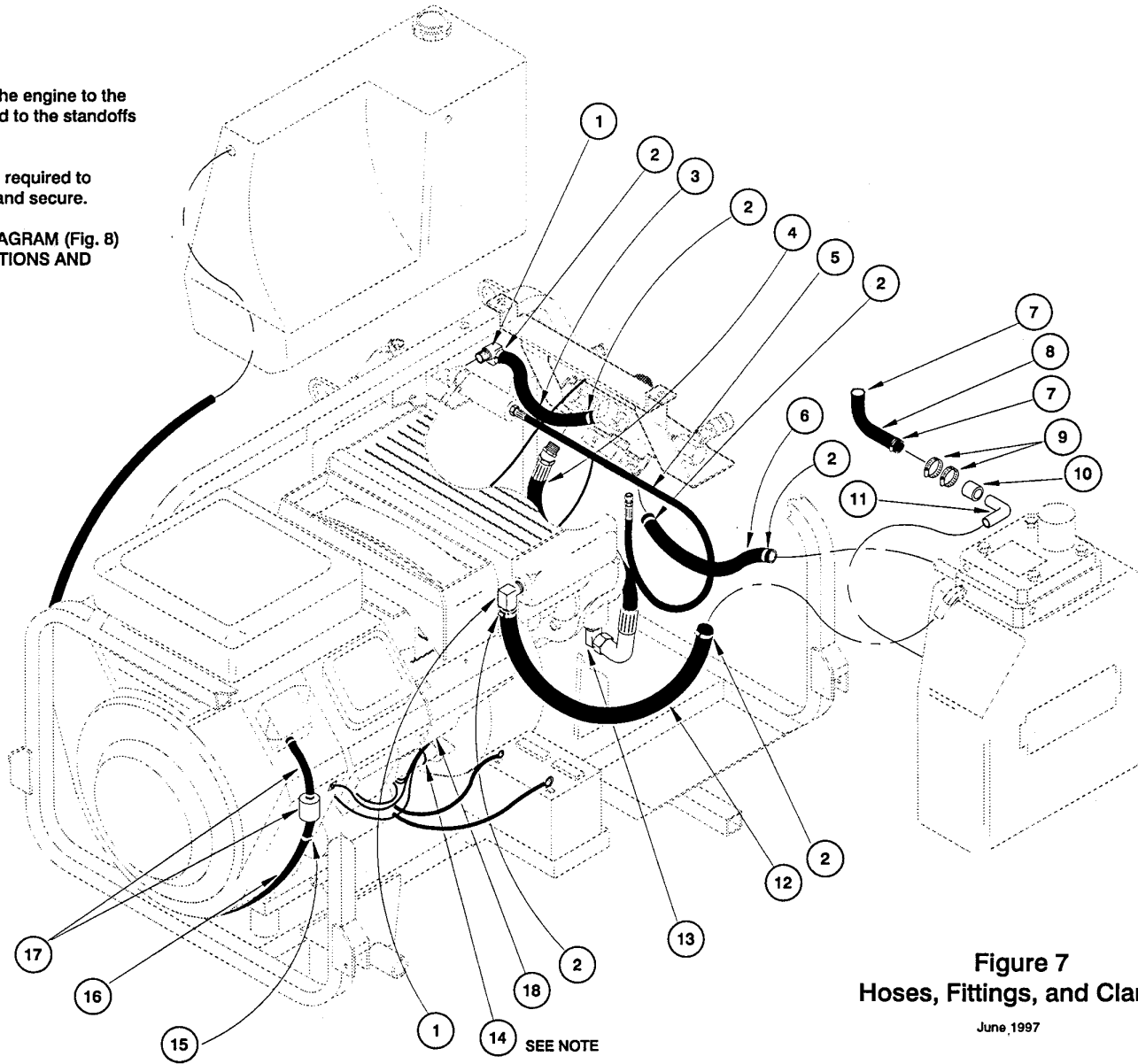


Figure 7
Hoses, Fittings, and Clamps

June 1997

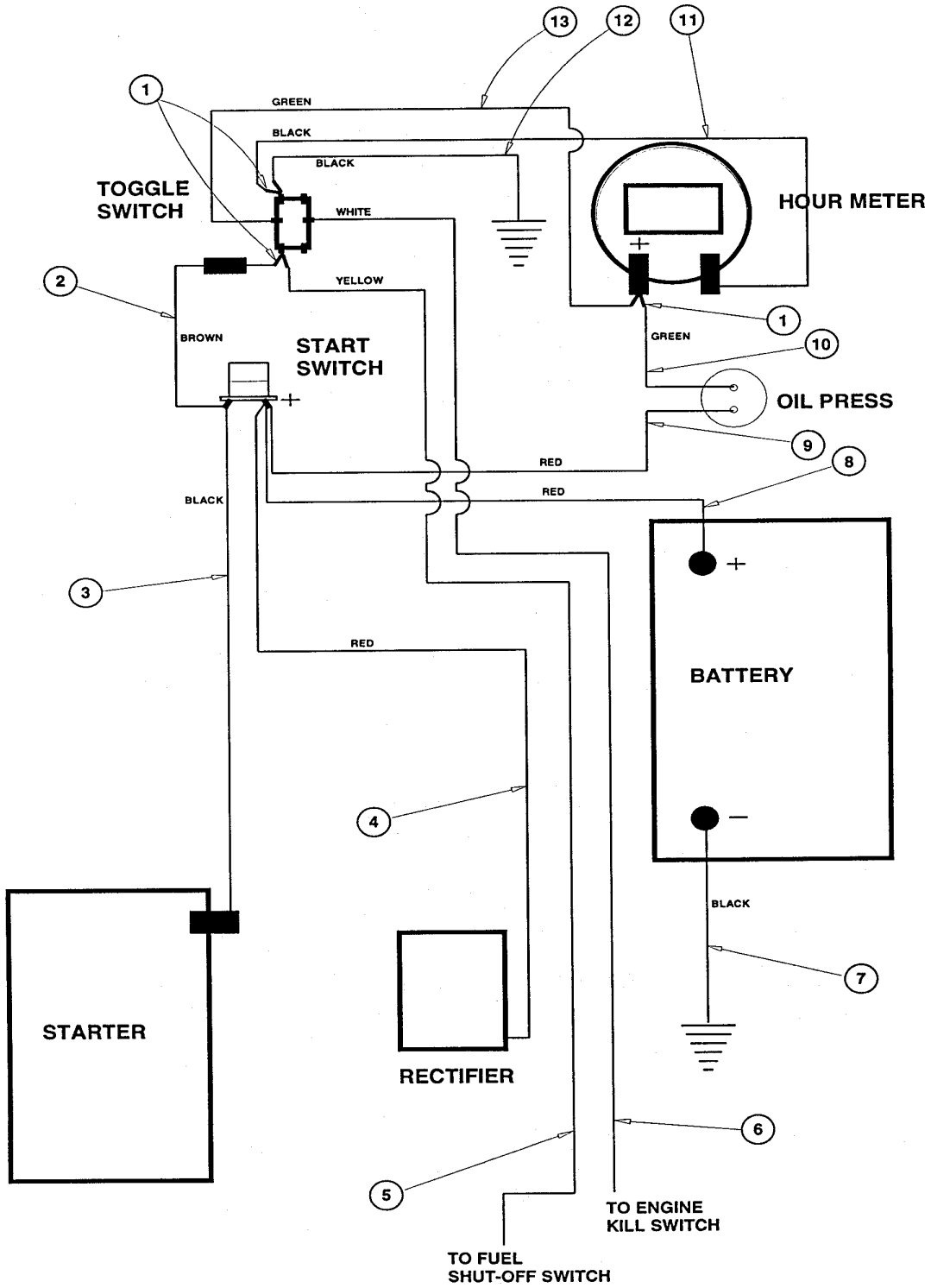


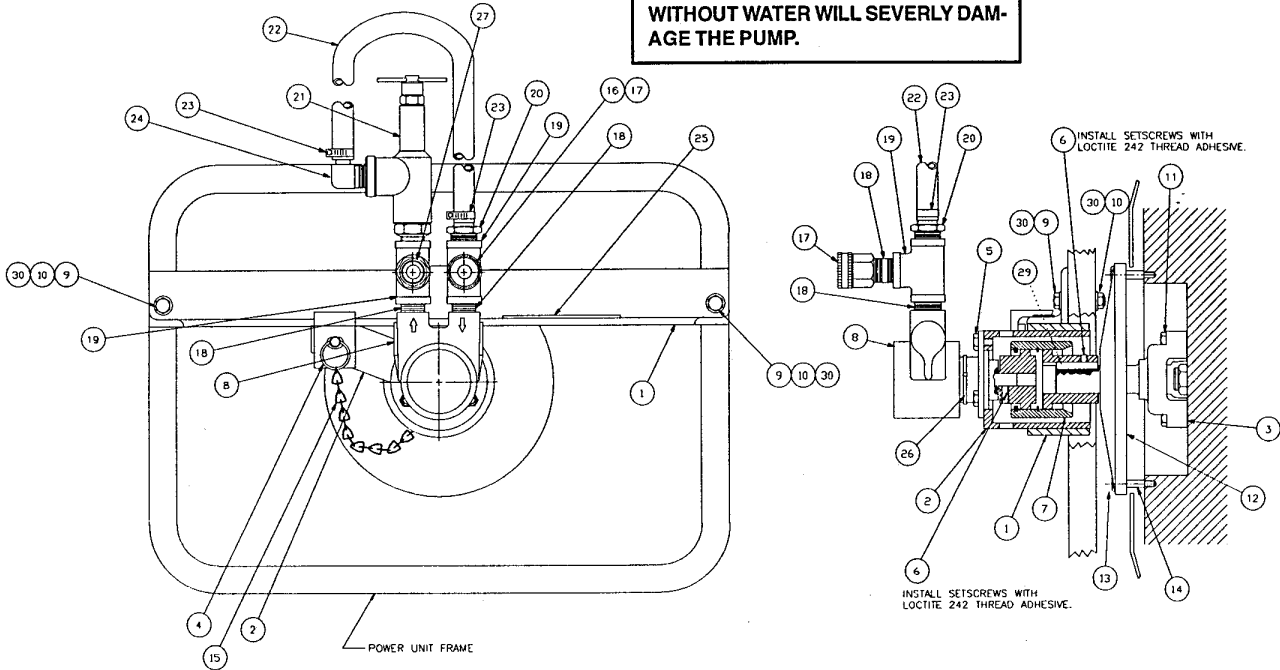
Figure 8. Wiring Diagram

June 1997

P/N 29361 WATER PUMP KIT (Optional Accessory)

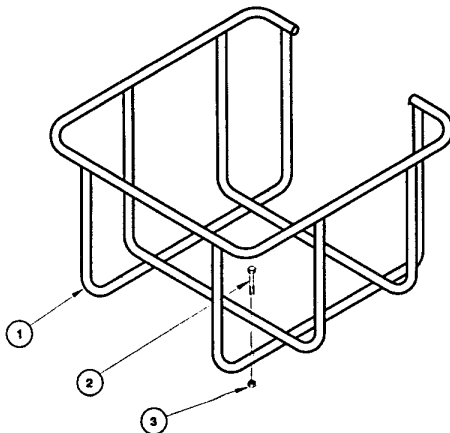
CAUTION

DO NOT OPERATE THE PUMP WITHOUT WATER. OPERATING THE PUMP WITHOUT WATER WILL SEVERLY DAMAGE THE PUMP.



Item No.	Part No.	Qty.	Description	Item No.	Part No.	Qty.	Description	Item No.	Part No.	Qty.	Description
1	29360	1	Pump Bracket	11	26055	2	Hex Sem Screw	21	30950	1	Regulator Assy
2	30246	1	Adapter	12	26053	1	Rotating Screen	22	04875	1	Hose
3	25720	1	Stub Shaft	13	26054	4	Hex Screw	23	04889	2	Hose Clamp
4	26040	1	Faspin	14	26052	4	Screen Spacer	24	07821	1	Hose Barb
5	01213	3	Capscrew	15	29393	1	Chain	25	29394	1	Caution Sticker
6	01607	4	SetscREW	16	24441	1	Mesh Filter Washer	26	02395	1	Cable Tie
7	30521	1	Drive Coupling	17	03577	1	Garden Hose Conn.	27	26015	1	Adapter
8	26011	1	Water Pump	18	07369	3	Nipple	28	29397	1	Instuction Sheet
9	370502	2	Capscrew	19	26060	2	Pipe Tee	29	07819	1	Key
10	03906	2	ESNA Locknut	20	07822	1	Hose Barb	30	15482	4	Washer

P/N 13360 HOSE BASKET KIT (Optional Accessory)



Item No.	Part No.	Qty.	Description
1	24187	1	Hose Basket Assy
2	10948	4	Capscrew
3	00719	3	Nut