

## REPAIR AND SEAL KIT DATA

For Pumps With Motor, Part Number 06858 or 21451

Part No.	Qty.	Description	Part No.	Qty.	Description
<b>Repair Kit Part No. 07474</b>			<b>Seal Kit Part No. 07475</b>		
01218	1	Bearing	00178	1	O-Ring
01308	1	Key	00466	1	O-Ring
01309	1	Sleeve	01205	1	O-Ring
01316	1	Key	01215	1	O-Ring
07475	1	Seal Kit	01216	1	Closure Seal
			06315	1	Seal
			00669	1	Quad Ring
			00171	1	O-Ring
			19884	1	Gland
			07387	1	Service Instructions

For Pumps With Motor, Part Number 03001

Part No.	Qty.	Description	Part No.	Qty.	Description
<b>Repair Kit Part No. 01150</b>			<b>Seal Kit Part No. 01149</b>		
00148	2	Bearing	00172	1	Seal Liner
00160	1	Retaining Ring	00173	1	Quad Ring
00169	1	Seal Liner Washer	00178	2	O-Ring
00170	1	Retaining Ring	00466	1	O-Ring
00708	1	Retaining Ring	01203	1	Washer
01316	1	Key	01205	1	O-Ring
01218	1	Bearing	01215	1	O-Ring
01308	1	Key	01216	1	Closure Seal
01309	1	Sleeve			
00609	1	Key			
01149	1	Seal Kit			

## PARTS LIST

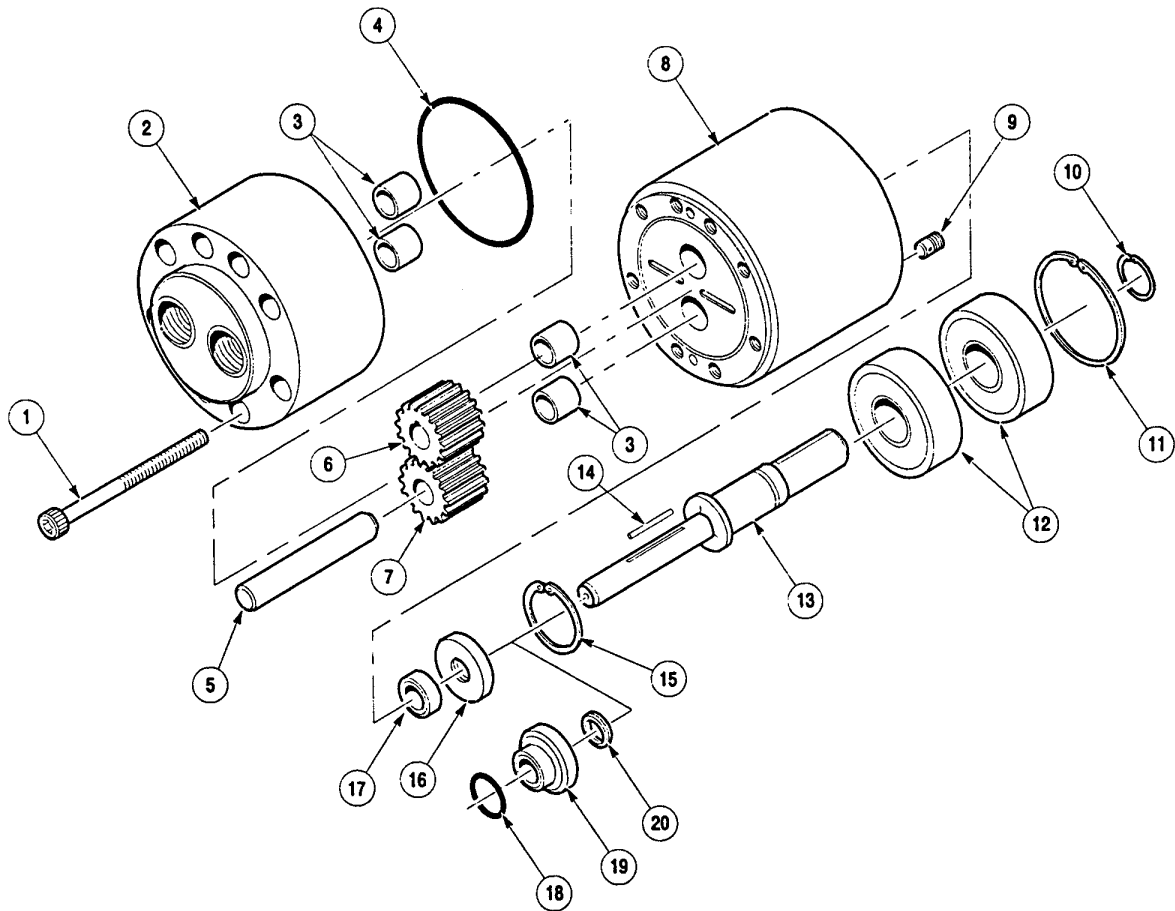
Item No.	Part No.	Qty.	Description
1	01303	1	Motor Housing
2	01220	1	Grease Fitting
3	01217	3	Capscrew, 3/8 - 16 x 2-1/4
4	01205	1	O-Ring, 2-1/4 x 2-3/4 x 1/16 ⊙
5	00936	2	Adapter
6	21451	1	Motor Assembly
	06858	1	Motor Assembly Replaced w/21451
	03001	1	Motor Assembly Replaced w/21451
7	01316	1	Key •
8	00466	1	O-Ring, 3-3/8 x 3-5/8 x 1/8 ⊙
9	01302	1	Adapter Plate
10	01215	1	O-Ring, 3-1/2 x 3-3/4 x 1/8 ⊙
11	00793	2	Capscrew, 5/16 - 18 x 2-1/4
12	01321	1	Impeller Shaft
13	01308	1	Impeller Key •
14	01218	1	Bearing •
15	01301	1	Volute
16	01219	1	Pipe Plug, 1/4 NPT *
17	01216	1	Closure Seal ⊙
18	01309	1	Seal Sleeve •
19	01320	2	Impeller Shim 0.025
20	01307	1	Hub Bushing *
21	01306	1	Impeller
22	01310	1	Washer
23	01311	1	Arbor Nut
24	01314	A/R	Cover Shim 0.010
25	02815	1	Impeller Cover
26	02784	1	Screen
27	01208	4	Capscrew, 3/8 - 16 x 3
28	09612	1	Sticker, GPM
	02731	1	Name Tag - Not Illustrated
	05152	1	Sticker, Stanley - Not Illustrated

- Denotes Part in Repair Kit.
- ⊙ Denotes Part in Seal Kit.
- \* Not Used in All Units.

### NOTES:

1. Use Part Number and Part Name when ordering.
2. Motors, part number 03001 and 06858, are not available as complete assemblies. If replacing the entire motor assembly, order Motor Assembly, part number 21451.
3. Motor, part number 03001, is identified by having two grooves around the main body. Motor, part number 06858 and 21451 have only one groove.
4. Be sure to order replacement parts from the correct parts list.
5. Motor, part number 21451, replaces motor part number 03001 and 06858. If ordering a complete motor, order motor, part number 21451.

# HYDRAULIC MOTOR ASSEMBLIES 06858 and 21451

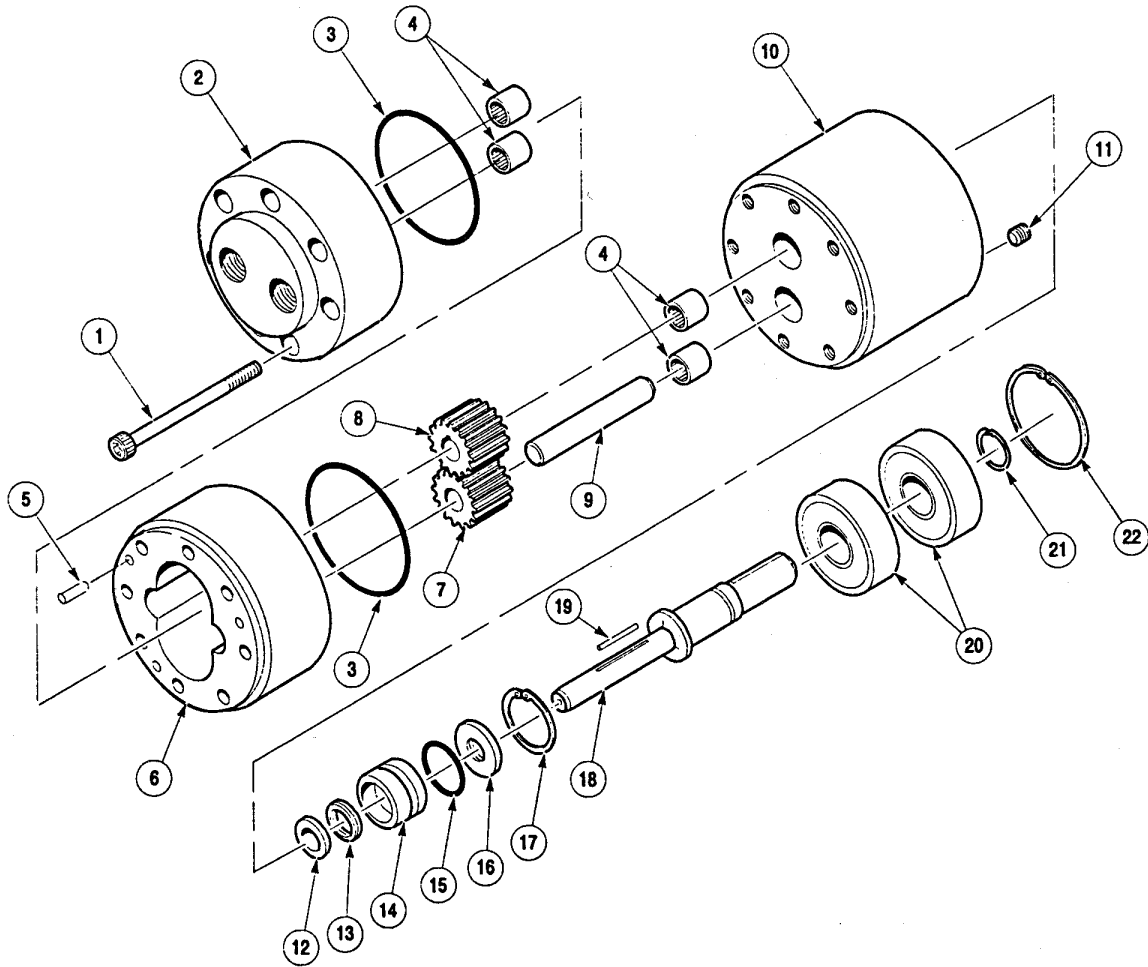


## PARTS LIST

Item No.	Part No.	Qty.	Description	Item No.	Part No.	Qty.	Description
1	00612	8	Capscrew, 1/4 - 20 x 2-1/4 HSH STNLS	11	00166	1	Retaining Ring
2	06857	1	Gear Housing Assy (Includes Item 3)	12	00148	2	Bearing
3	06316	4	Bushing	13	06859	1	Motor Shaft
4	00178	1	O-Ring ☉	14	06881	1	Needle Roller
5	06854	1	Idler Shaft	15	00170	1	Retaining Ring
6	06853	1	Drive Gear	16	06304	1	Seal Washer (Motor 06858 only)
7	06855	1	Idler Gear	17	06315	1	Seal (Motor 06858 only) ☉
8	21435	1	Front Bearing Housing Assy	18	00171	1	O-Ring (Motor 21451 only) ☉
	06856	☉	(Includes Items 3 and 9)	19	19884	1	Gland (Motor 21451 only) ☉
9	06821	1	Oiler Plug	20	00669	1	Quad Ring (Motor 21451 only) ☉
10	00708	1	Retaining Ring				

• Denotes Part in Repair Kit  
 ☉ Denotes Part in Seal Kit

# HYDRAULIC MOTOR ASSEMBLY 03001



## PARTS LIST

Item No.	Part No.	Qty.	Description	Item No.	Part No.	Qty.	Description
1	00612	8	Capscrew	12	01203	1	Seal Washer ☉
2	03426	1	Rear Bearing Retainer (Includes Item 10)	13	00173	1	Quad Ring ☉
3	00178	2	O-Ring ☉	14	00172	1	Seal Liner ☉
4	05459	4	DU Bushing and Sleeve	15	00171	1	O-Ring ☉
5	00611	3	Dowel Pin	16	00169	1	Seal Liner Washer •
6	00605	1	Gear Housing	17	00170	1	Retaining Ring •
7	00607	1	Gear	18	00620	1	Motor Shaft
8	00608	1	Gear w/Keyway	19	00609	1	Key •
9	00606	1	Idler Shaft	20	00148	2	Bearing
10	03424	1	Front Bearing Retainer (Includes Item 10)	21	00708	1	Retaining Ring •
11	00105	1	Oiler Plug	22	00166	1	Retaining Ring •

**Note:** Motors, part number 03001 and 06858, are not available as complete assemblies. If replacing the entire motor assembly, order Motor Assembly, part number 21451.