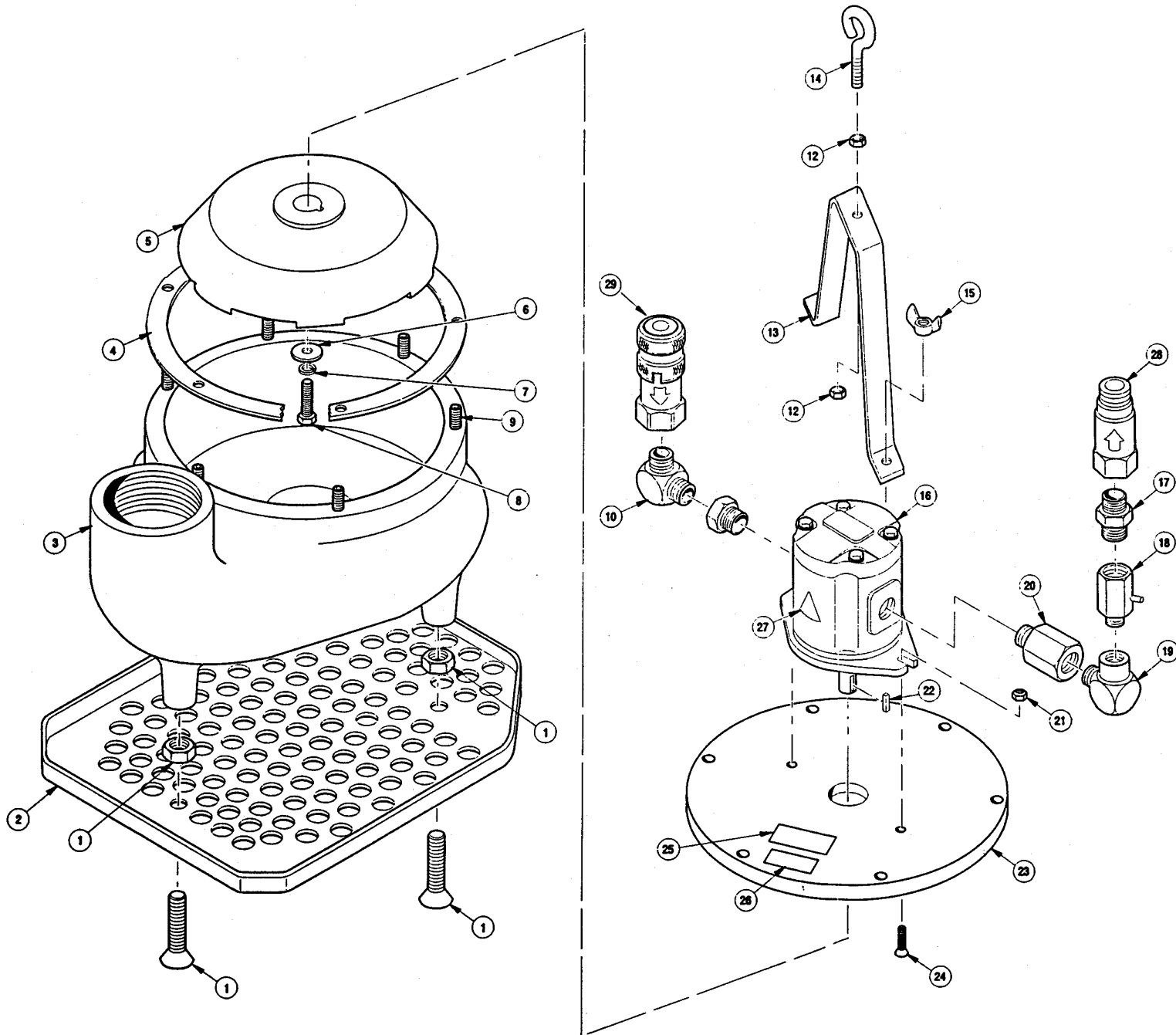


PUMP SERIAL NO. 91248, 91295, 91299, 91300, 91305 AND UP.



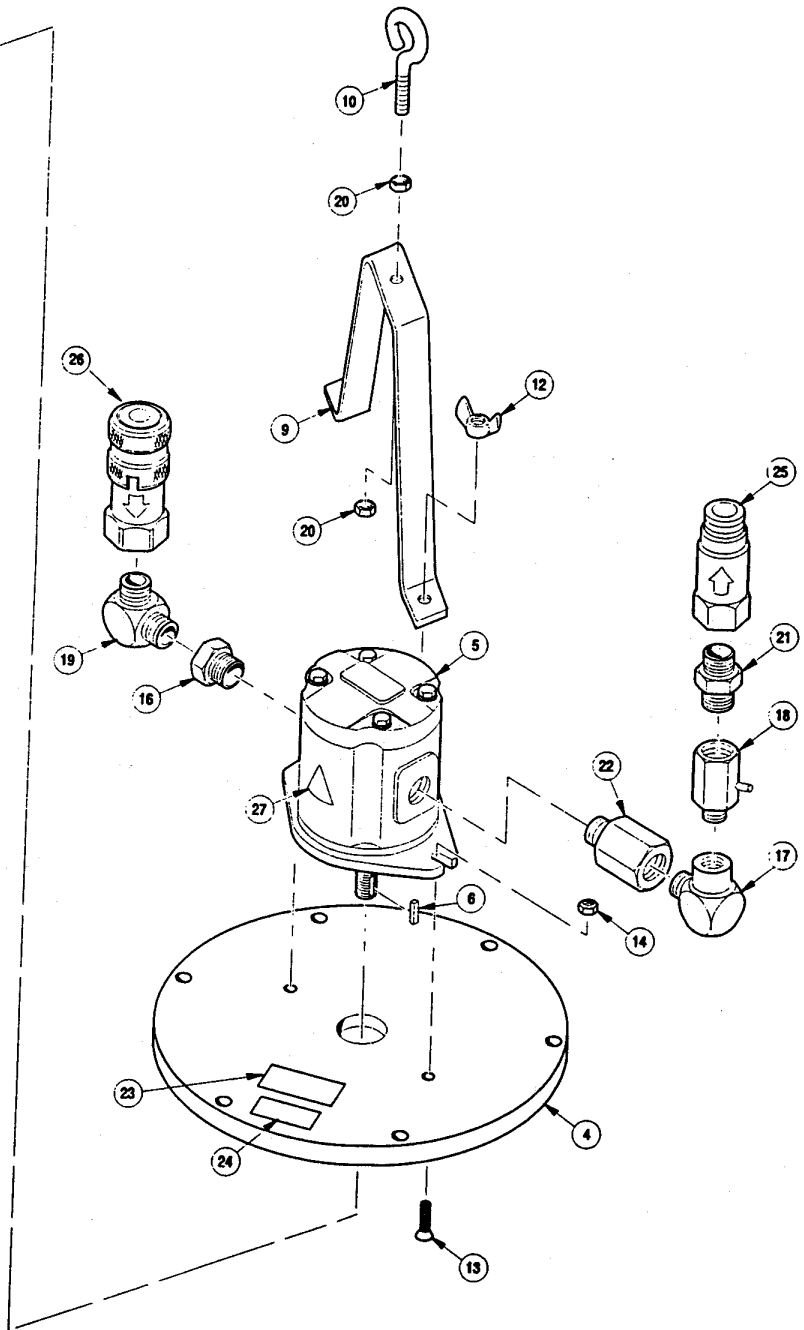
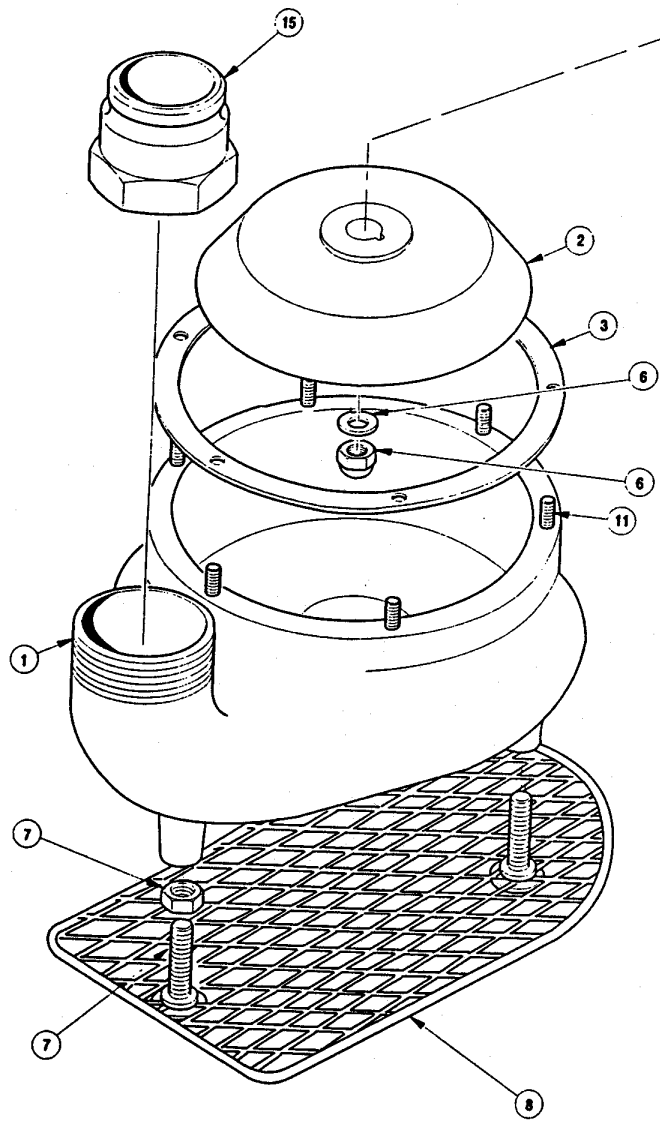
PARTS LIST

Item No.	Part No.	Qty.	Description
1	07205	3	Leg Assembly
2	07206	1	Pump Support
3	21917	1	Casing, Polyurethane
4	07201	1	Gasket
5	07200	1	Impeller
	17569	1	Impeller, C.I.
6	22294	1	Washer, Stainless
7	09663	1	Lockwasher
8	09661	1	Capscrew
9	07209	6	Stud, 3/8-16 x 2
10	02219	1	Elbow, 1/2 NPT
11	04547	1	Adapter, 10 SAE / 1/2 NPT Female
12	00147	2	Nut, Hex, 3/8-16
13	07207	1	Handle
14	07208	1	Eye Bolt, 3/8-16
15	07210	6	Wing Nut 3/8-16
16	24381	1	Hydraulic Motor Assembly
17	04192	1	Hex Nipple, 1/2 in. NPT
18	07214	1	Check Valve, 1/2 in. NPT
19	04025	1	Elbow, 1/2 in. NPTM x 1/2 in. NPTF
20	07215	1	Adapter, 12 SAE/ 1/2 NPT Female
21	04353	2	Locknut, 3/8-16
22	00635	1	Key, Motor Shaft, 3/16 x 3/4
23	07202	1	Motor Adapter Plate
24	07211	2	Screw, Flat Head, 3/8-16 x 1-1/4
25	05152	1	Sticker, Stanley
26	03786	1	Sticker, GPM
27	11207	1	Circuit Type D Sticker (UK only)
28	03976	1	Male Coupler Body (UK only)
29	03975	1	Female Coupler Body (UK only)

NOTE: Use Part Name when Ordering.

SEAL KIT DATA

Part No.	Qty.	Description
Seal Kit Part No. 23567		
07963	1	Seal Kit
07964	1	Seal
11046	1	Seal Washer
11047	1	Gland/Seal Carrier
11048	1	O-Ring
23566	1	Shaft Seal
21607	1	Installation Illustration



PARTS LIST

Item No.	Part No.	Qty.	Description
1	07199	1	Casing, Cast Steel *
	07216	1	Casing, Aluminum w/Rubber Liner **
2	07200	1	Impeller
	17569	1	Impeller C.I.
3	07201	1	Gasket *
4	07202	1	Motor Adaptor Plate
	07203	1	Hydraulic Motor Assy (used on units lower than S/N 93000)
5	24381	1	Hydraulic Motor Assy (used on units S/N 93000 and higher)
6	07204	3	Capnut Washer and Key
7	07205	1	Leg Assembly
8	07206	1	Pump Support
9	07207	1	Handle
10	07208	6	Eye Bolt, 3/8-16
11	07209	6	Stud, 3/8-16 x 2
12	07210	2	Wing Nut, 3/8-16
13	07211	2	Screw, Flat Head, 3/8-16 x 1 1/4
14	04353	1	Locknut, 3/8-16
15	07217	1	Connector, Aluminum **
	07488	1	Connector, Brass *
16	04547	1	Adapter, 10 SAE / 1/2NPT FEM.
17	04025	1	Elbow, 1/2" NPTM x 1/2" NPTF
18	07214	1	Check Valve, 1/2NPT
19	02219	2	Elbow, 1/2NPT
20	00147	1	Nut, Hex, 3/8-16
21	04192	1	Hex Nipple, 1/2" NPT
22	07215	1	Adapter, 12 SAE / 1/2NPT FEM.
23	05152	1	Stanley Sticker
24	03786	1	GPM Sticker
25	03976	1	Male Coupler Body (UK Only)
26	03975	1	Female Coupler Body (UK Only)
27	11207	1	Circuit Type D Sticker (UK Only)

NOTE: Use Part Name when Ordering.

*Used on TP03001

**Used on TP03002

15 is integral with aluminum casing on TP03002 beginning with S/N 86250

SEAL KIT DATA

Part No.	Qty.	Description
Seal Kit Part No. 23567		
07963	1	Seal Kit
07964	1	Seal
11046	1	Seal Washer
11047	1	Gland/Seal Carrier
11048	1	O-Ring
23566	1	Shaft Seal
21607	1	Installation Illustration