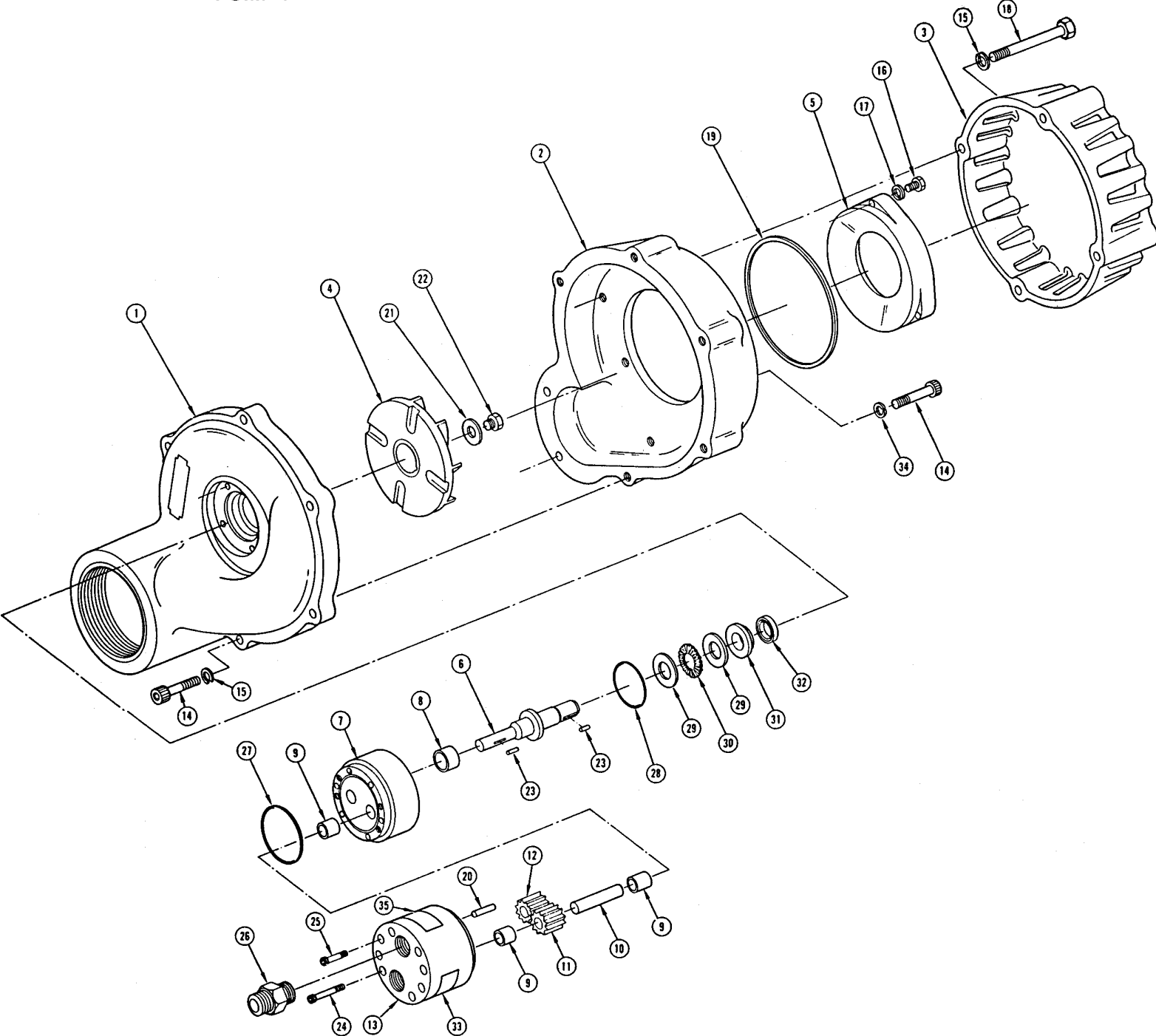


PUMP SERIAL NUMBERS 1546 AND LOWER



PARTS LIST

Item No.	Part No.	Qty.	Description
1	08908	1	Volute Top
2	08910	1	Volute Bottom
3	08912	1	Suction Screen
4	08914	1	Impeller *
5	08916	1	Wear Ring*
6	19175	1	Main Shaft
	08920	1	Front Bearing Ret. Assy. Includes Items 7-9
7	08919	1	Front Bearing Retainer
8	04040	1	DU Bushing — 9/16 I.D.
9	04041	3	DU Bushing — 3/8 I.D.
10	09382	1	Idler Shaft
11	09383	1	Idler Gear
12	09384	1	Drive Gear
	09385	1	Gear Housing Assy. Includes Items 9, 13 & 20
13	09388	1	Gear Housing
14	00230	7	Capscrew, Socket Head 5/16-18 x 1-1/4
15	00283	9	Lockwasher, 5/16 Plated
16	08937	3	Capscrew, 1/4-20 x 1 Hex Hd.
17	01324	3	Lockwasher, 1/4
18	08925	4	Capscrew, 5/16-18 x 2-3/4 Hex Hd. SS
19	08923	A/R	Shims, .020 Thick*
20	00289	2	Dowel Pin, 3/16 x 3/4
21	02259	1	Flat Washer
22	01213	1	Capscrew, 1/4-20 x 1/2 SS *
23	04044	2	Needle Roller *
24	08927	4	Capscrew, #10-24 x 3
25	09687	4	Capscrew, #10-24 x 2
26	00936	2	Adapter, 1/2 SAE 1-3/8 NPT Male
27	00020	1	O-Ring, 1.670 x 1.810 x .070 ⊙
28	00252	1	O-Ring, 1-3/8 x 1-1/2 x 1/16 ⊙
29	06636	2	Bearing Race *
30	06637	1	Thrust Bearing *
31	08926	1	Retaining Washer
32	03220	1	Cup Seal ⊙
33	16599	1	GPM Sticker, 4-9 GPM
34	00231	2	Lockwasher
35	08938	1	Sticker, Unit Nameplate

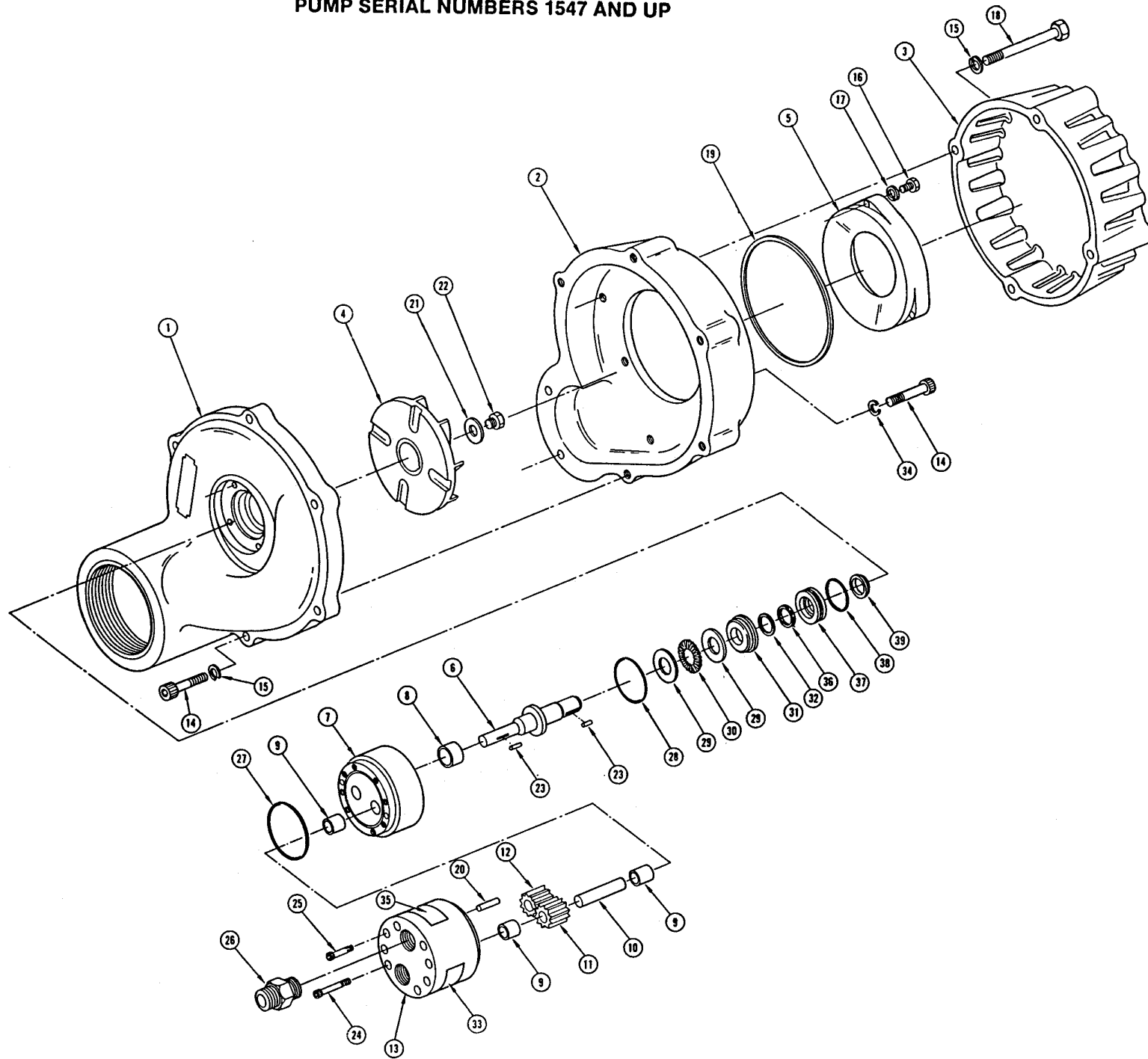
NOTE: Use Part Number and Part Name when ordering.

- * Denotes Part in Repair Kit
- ⊙ Denotes Part in Seal Kit
- Ⓐ Supplied as Part of Item 26

REPAIR AND SEAL KIT DATA

Part No.	Qty.	Description
Repair Kit Part No. 10317		
08916	1	Wear Ring
08923	7	Shim
08926	1	Back-Up Washer
08914	1	Impeller
01213	1	Capscrew
02259	1	Washer
04044	2	Needle Roller
06636	2	Bearing Race
06637	1	Thrust Bearing
10318	1	Seal Kit
Seal Kit Part No. 10318		
00020	1	O-Ring
00026	2	O-Ring Ⓐ
00252	1	O-Ring
03220	1	Cup Seal

PUMP SERIAL NUMBERS 1547 AND UP



PARTS LIST

Item No.	20 lpm Part No.	30 lpm Part No.	Qty.	Description
1	19177	19177	1	Volute Top
2	08910	08910	1	Volute Bottom
3	08912	08912	1	Suction Screen
4	08914	08914	1	Impeller (Urethane)
	25669	25669	1	Impeller (Steel)
5	08916	08916	1	Wear Ring
6	21120	19175	1	Main Shaft
7	08919	08919	1	Front Bearing Retainer
8	04040	04040	1	DU Bushing—9/16 I.D.
9	04041	04041	3	DU Bushing—3/8 I.D.
10	09382	09382	1	Idler Shaft
11	04105	09383	1	Idler Gear
12	04106	09384	1	Drive Gear
	09385	09385	1	Gear Housing Assy. Includes Items 9, 13 8 20
13	21121	09388	1	Gear Housing
14	00230	00230	7	Capscrew, Socket Head 5/16-18 x 1-1/4
15	00283	00283	9	LockWasher, 5/16 Plated
16	08937	08937	3	Capscrew, 1/4-20 x 1 Hex Hd.
17	01324	01324	3	Lockwasher, 1/4
18	08925	08925	4	Capscrew, 5/16-18 x 2-3/4 Hex Hd. SS
19	08923	08923	A/R	Shims, .020 Thick
20	00289	00289	2	Dowel Pin, 3/16 x 3/4
21	02259	02259	1	Flat Washer
22	01213	01213	1	Capscrew, 1/4-20 x 1/2 SS *
23	04044	04044	2	Needle Roller *
24		08927	4	Capscrew, #10-24 x 3
	21128		4	Capscrew, #10-24 x 2-3/4
25		09687	4	Capscrew, #10-24 x 2
	00786		4	Capscrew, #10-24 x 1-3/4
26	00936	00936	2	Adapter, 1/2 SAE 1-3/8 NPT Male
27	00020	00020	1	O-Ring, 1.670 x 1.810 x .070 ⊙
28	00252	00252	1	O-Ring, 1-3/8 x 1-1/2 x 1/16 ⊙
29	06636	06636	2	Bearing Race *
30	06637	06637	1	Thrust Bearing *
31	19178	19178	1	Thrust Back-Up Washer
32	08928	08928	1	Back-Up Ring ⊙
33	21122	16599	1	GPM Sticker
34	00231	00231	2	Lockwasher
35	08938	08938	1	Name Tag-SM20
36	02445	02445	1	Quad Ring ⊙
37	19174	19174	1	Gland, Bronze ⊙
38	00074	00074	1	O-Ring (Gland OD) ⊙
39	19176	19176	1	Wiper Seal ⊙

REPAIR AND SEAL KIT DATA

Part No.	Qty.	Description
Repair Kit Part No. 20135		
08926	1	Back-Up Washer
08914	1	Impeller
01213	1	Capscrew
02259	1	Washer
04044	2	Needle Roller
06636	2	Bearing Race
06637	1	Thrust Bearing
19937	1	Seal Kit
Seal Kit Part No. 19937		
00020	1	O-Ring
00026	2	O-Ring Ⓐ
00252	1	O-Ring
19176	1	Wiper Seal
08928	1	Back-Up Ring
00074	1	O-Ring
02445	1	Quad Ring
19174	1	Gland

NOTE: Use Part Number and Part Name when ordering.

* Denotes Part in Repair Kit

⊙ Denotes Part in Seal Kit

Ⓐ Supplied as Part of Item 26